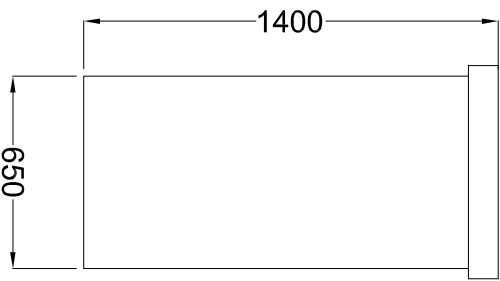
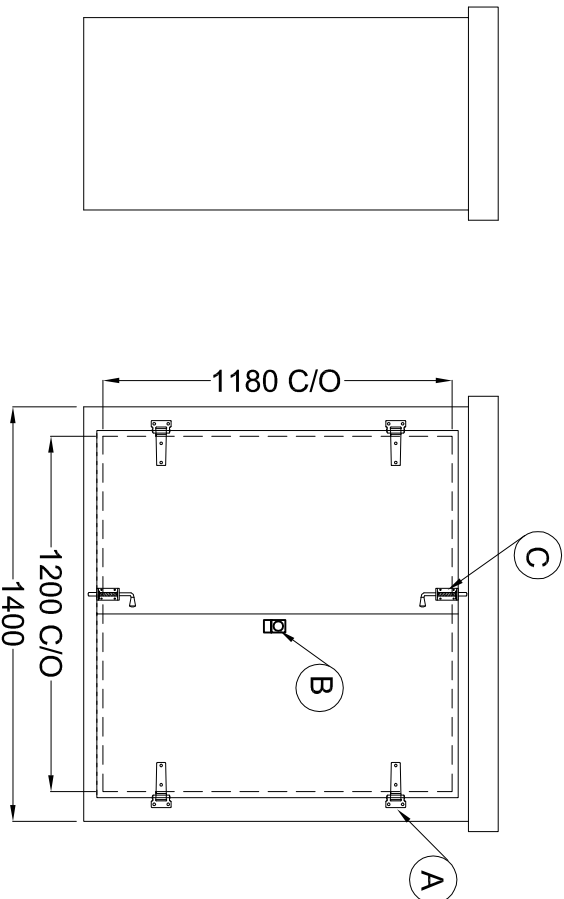
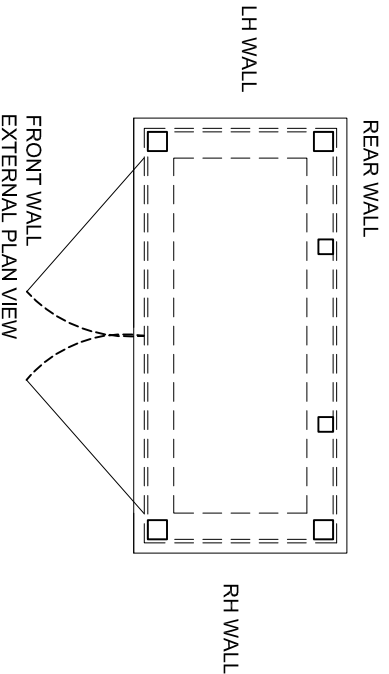


DO NOT SCALE OFF THIS DRAWING

A	STAINLESS STEEL HINGES	4
B	CYLINDER NIGHTLATCH LOCK	1
C	SPRING TOWER BOLT	2

GRP/12mm PLY/GRP CONSTRUCTION
EXTERNAL FINISH : SMOOTH GELCOAT
EXTERNAL COLOUR : T.B.A.
INTERNAL FINISH : GRP
INTERNAL COLOUR : WHITE.



EXTERNAL VIEW ON LH WALL

EXTERNAL VIEW ON FRONT WALL

EXTERNAL VIEW ON RH WALL

EXTERNAL VIEW ON REAR WALL

REV	DATE	DETAILS OF REVISION	CKD	APP	DRAWN	CHECKED	INDUSTRIAL GRP LTD	UNIT 2 BLOCK C CAPLE HENDRE IND EST AMMANFORD CARMARTHENSHIRE SA18 3SU TEL : 01269 845800 FAX : 01269 845180	CLIENT : INDUSTRIAL GRP	SCALE : NTS	DRAWING NUMBER : C5	SHEET 1 OF 1
A	11/12/08	ORIGINAL ISSUE			DA	MT						

THIS DRAWING AND DESIGN IS THE PROPERTY OF INDUSTRIAL GRP LTD AND WITHOUT THE WRITTEN CONSENT OF INDUSTRIAL GRP LTD NO PART OF THIS DRAWING OR IN PART OR COMMUNICATED IN ANY FORM TO A THIRD PARTY.