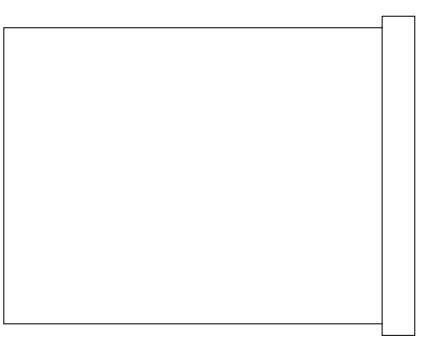
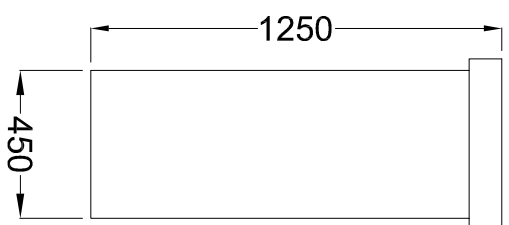
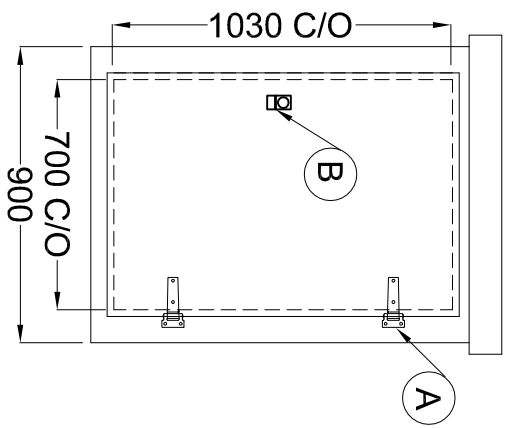
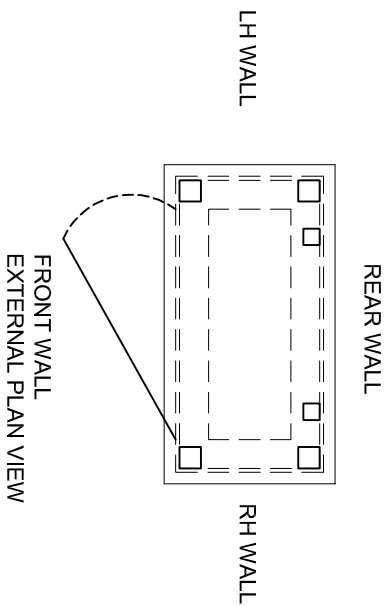


**DO NOT SCALE OFF THIS DRAWING**

A	STAINLESS STEEL HINGES	2
B	CYLINDER NIGHTLATCH LOCK	1

GRP/12mm PLY/GRP CONSTRUCTION
EXTERNAL FINISH : SMOOTH GELCOAT
EXTERNAL COLOUR : TBA
INTERNAL FINISH : GRP
INTERNAL COLOUR : WHITE



EXTERNAL VIEW ON LH WALL

EXTERNAL VIEW ON FRONT WALL

EXTERNAL VIEW ON RH WALL

EXTERNAL VIEW ON REAR WALL

			DRAWN	CHECKED	<b>INDUSTRIAL GRP LTD</b> <small>THIS DRAWING AND DESIGN IS THE PROPERTY OF INDUSTRIAL GRP LTD AND WITHOUT THE WRITTEN PERMISSION OF INDUSTRIAL GRP LTD IT IS NOT TO BE REPRODUCED IN WHOLE OR IN PART OR COMMUNICATED IN ANY FORM TO A THIRD PARTY.</small>
			DA	MT	
			11/1/2008	11/1/2008	
A	11/1/2008	ORIGINAL ISSUE	CKD	APP	
REV	DATE	DETAILS OF REVISION			
<b>CLIENT :</b> INDUSTRIAL GRP		<b>UNIT 2 BLOCK C</b> CAPEL HENDRE IND EST AMMANFORD CARMARTHENSHIRE SA18 3SU TEL : 01269 845800 FAX : 01269 845180		<b>SCALE :</b> NTS <b>SHEET 1 OF 1</b>	
<b>DRAWING NUMBER :</b> C2					